



SERIES

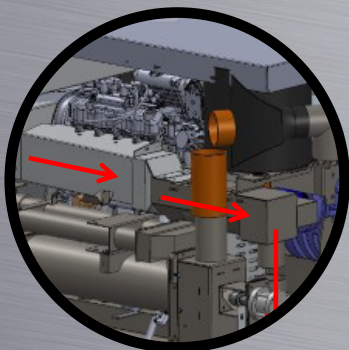
SURFACE CLEANING TRUCK MOUNTS

Powered by INNOVATION

Robust | Radical | Revolutionary

R-SERIES SLIDE-IN TRUCK MOUNT

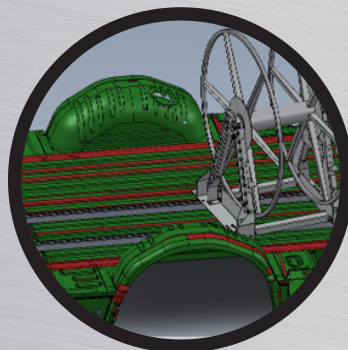
Designed for professionals who demand **more**:
more **durability**, more **control**, more **uptime**.



SERVICE REMINDERS

| 111 ENG HRS | INTERVAL | NEXT | REMAINING |
|---------------------|----------|------|-----------|
| ENGINE OIL & FILTER | 150 | 244 | 133 |
| ENGINE VALVES | 1000 | 400 | 289 |
| R HEAD BOLTS TORQUE | 400 | 400 | 289 |
| BEARING HOUSING | 400 | 400 | 289 |
| PRESSURE REGULATOR | 400 | 400 | 289 |
| FUEL FILTER | 1000 | 1000 | 889 |

↓ ↑ RESET



aerotechmfg.com | 866-390-2376

ROBUST • RADICAL

Better Temp Control Plus Fewer Components

The R-Series requires no demand pump. The R56 does not circulate hot water back to the water tank, which means no dumping of solution water!

This also simplifies the water system, allowing you to achieve more precise temperature controls.

Plus, this unique design removes a common failure point in competing models. Fewer parts means fewer problems.

Made from Corrosion-Resistant Stainless Steel

The R-Series features key components made from corrosion-resistant stainless steel for years of dependable operation. No rust. No flaky coatings. No peeling paint.

- Engine/Blower Exhaust Heat Exchanger
- Engine Coolant Heat Exchanger
- Main Frame
- Structure & Main Brackets
- Airpath
- Solution Path

Solid Construction with Less Vibration

Vibration causes stress on equipment which leads to damage and downtime.

The unique ladder-frame design of the R-Series coupled with the single-piece slot-and-tab base ensures a rock-solid installation for less vibration and strain on the machine.

Enjoy enhanced comfort plus fewer belt replacements and breakdowns.

Cooler Van. Happier Tech. Cabin Heat

Discharge System (CHDS)

An industry exclusive! The R-Series vents the exhaust and ambient air through the van floor, not back at the machine or operator.

This keeps the machine cooler and the operator more comfortable.

Waste Tanks that WOW!

The R-Series features high-capacity waste tank options that feature beveled bottoms for full drainage. Hair, dirt, and debris slides off the sides and out the bottom.

No puddles. No sludge. No stink.

Available in two sizes: 100 gallon rotomold or 120 gallon stainless steel

Notice What's Missing? The Noise.

Noisy truck mounts that disturb the neighborhood and hurt your ears are a thing of the past.

The R-Series boasts a unique built-in silencer that allows for dramatically quieter operation that your team, your customers, and the neighbors will appreciate.

Built for Power and Performance in a Variety of Applications

The R-Series is available in two models, both with a similar footprint and customization options for tanks, shelving, and hose reels.

Choose the R45 Air for residential and light commercial cleaning.

Choose the R56 Liquid for commercial cleaning jobs where more power is needed for dual wand-operation or longer hose runs. Both units are ideal for use on extraction-only restoration job sites.

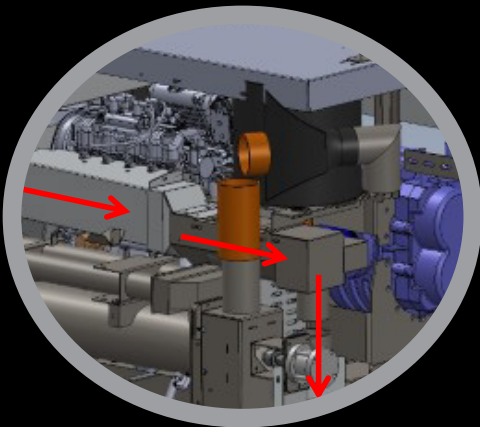
• REVOLUTIONARY



R56: Ideal for commercial or large cleaning jobs requiring dual wands or long hose runs.

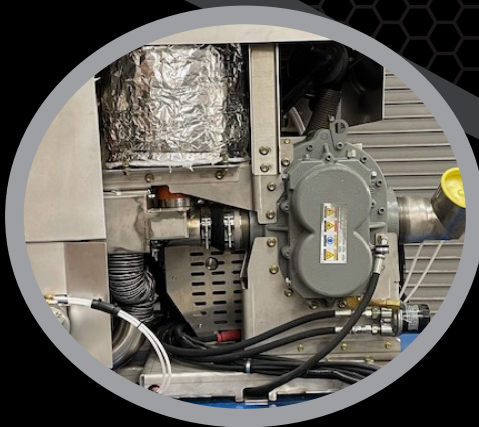


R45: Ideal for residential and light commercial cleaning jobs.



Cabin Heat Discharge System

Enjoy noticeably cooler interior vehicle temperatures. This keeps the operator comfortable and reduces machine stress.



Built-in Silencer

The unique built-in silencer dramatically reduces machine noise, plus protects sensitive parts from heat exposure.



Beveled Waste Tank Bottoms

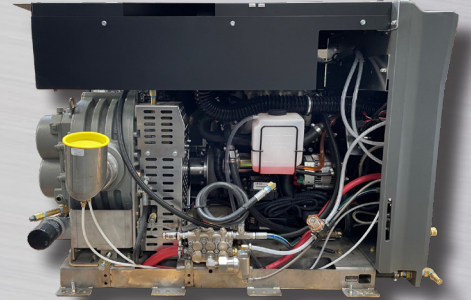
Leftover residue, sand, and debris can lead to corrosion and odors. Beveled bottoms ensure complete drainage.

The Easiest Maintenance You'll Ever Experience!

All machines need maintenance to ensure peak performance. The R-Series was engineered to make routine service as easy as possible to keep your downtime to a bare minimum.

Single-Side Service

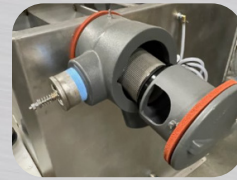
The single-side maintenance design allows you to access serviceable components—no crawling, no reaching, no frustration. The remote engine oil filter allows for easy access, too!



Easy-Access External Components

Tired of wrestling with your truck mount to perform basic service? Key serviceable components of the R-Series are located on the exterior of the unit—no need to unscrew covers and dig into the machine.

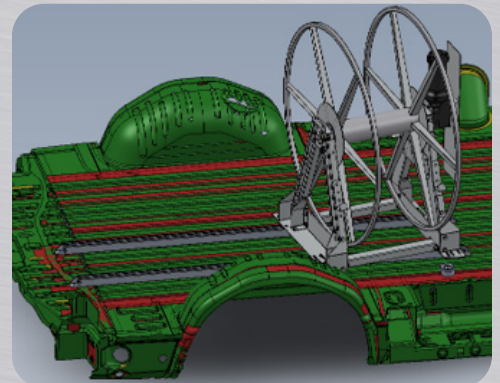
- External greaseable pressure regulator
- External bearing housing
- Vacuum Pre-Filter
- External Waste Tank Blower Filter



Sliding Hose Reels that Redefine Simplicity

An industry first and Aero Tech exclusive! The sliding rail system lets you easily move hose reels out of the way for clear service access. No unbolting. No complications.

Whether you're doing DIY maintenance or taking it to your preferred mechanic, downtime is dramatically reduced.



Belts that Resist Stretching and Can Almost Stop Bullets!

The R-Series is built tough, right down to the belts. This unit utilizes banded belts made from EPDM rubber and Aramid fiber (the same family as Kevlar®)! The unique design and durable construction resists stretching and lasts longer so you can enjoy fewer replacements and more uptime!



Finally! Modern Technology for the Modern Professional

The R-Series features a smart LED interface that makes it easy for the user to operate the unit and quickly see important data in real time.

User-Friendly Design

No analog gauges. No clutter. Just one on/off switch and a clean, intuitive digital screen.

Built-in Service Reminders

Tracks hours, intervals, and notifies you when service is due. Never miss an oil change again.

Real-Time Engine Diagnostics

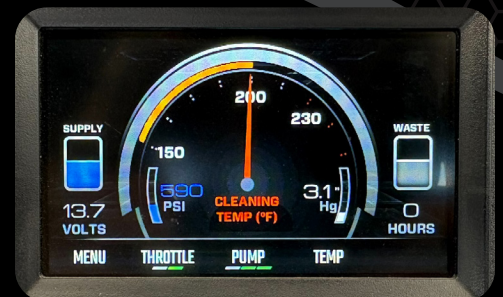
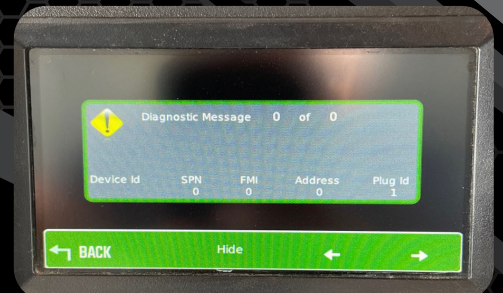
Displays EMI engine error codes without a scanner. Easy troubleshooting for non-techs.

Precise Temperature Control

The only machine with user-controlled shutdown of both engine coolant and blower heat for ultra-precise temp adjustment. Whether you're powering through a large commercial job or tackling sensitive upholstery fabrics, you can dial in the temperature you need.

Durable Design

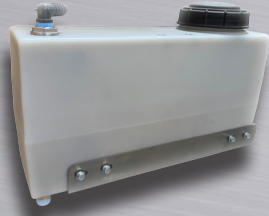
Designed for rugged markets, the LED display meets the highest standard for dust/water protection—up to IP67—for military-grade durability.



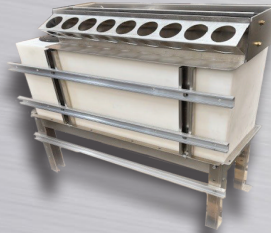
Tanks & Accessories

Flexible Configurations Built for the Way You Work

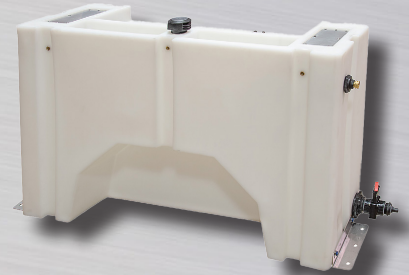
Water Tanks with Built-In Storage



6-Gallon Water Tank

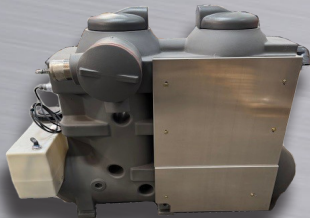


45-Gallon
Rotomolded Water Tank with
Built-in Chemical Bins
Single or Dual Options



110-Gallon
Rotomolded Water Tank with
Built-In Chemical Bins

Waste Tanks with Smooth Sides and Coned Bottoms



100-Gallon Waste Tank
Rotomolded Polyethylene
84-Gallons at Shutoff

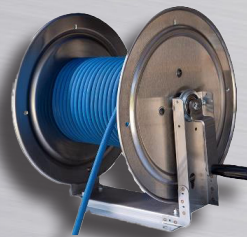


120-Gallon Waste Tank
Rotomolded Polyethylene
100-Gallons at Shutoff

Accessories Designed for Professionals



Vacuum Hose Reel
Aluminum
250-ft Capacity
Floor or Roof Mount
Sliding Rail System



Solution Hose Reel
Aluminum
250-ft Capacity
Floor or Roof Mount
Sliding Rail System



Mix & Match Shelving Options
Shelves, Brackets, Block Holders,
Sprayer Holders, and More!

**Talk to your Aero Tech representative for help
customizing the best storage options for your vehicle.*

Specifications

| | R56 Liquid | R45 Air |
|---|--|--|
| Ideal For | <ul style="list-style-type: none"> • Residential or Commercial Carpet Cleaning • Dual-wands or longer hose runs • Extraction-only/restoration | <ul style="list-style-type: none"> • Residential or Commercial Carpet Cleaning • Extraction-only/restoration |
| Engine | PSI 1.0 L GM, 4 Cylinder Liquid-Cooled, EFI Engine | Kohler ECH749, EFI, 26.5 HP 2 Cylinder, Air Cooled, EFI Engine |
| California Compliant | Yes - CARB/EPA Compliant in all 50 States | |
| Blower | 5006 Tuthill Tri Lobe Blower | 4005 Tuthill Tri Lobe Blower |
| Airflow | 500+ CFM | 300+ CFM |
| Pump | General PEHT2010S Stainless Steel Pump 500-1,500 Working PSI; 4.0 GPM; Last Step Chemical Injection | |
| Coolant Heat Exchanger | Stainless Steel Tube & Shell | NA |
| Throttle & Choke | Electronic | |
| Engine/Blower Exhaust Heat Exchanger | | |
| Frame | | |
| Structure and Main Brackets | Corrosion-Resistant Stainless Steel | |
| Airpath | | |
| Solution Path | | |
| Heat Shields & Covers | Aluminum | |
| Digital Display | Yes - LED with Service Alerts | |
| Power Distribution Module (PDM) | Yes | |
| Pressure Regulator | External, Greaseable | |
| Vacuum Pre-Filter | Yes, External | |
| Engine Bearing Housing | 1-7/16" Shaft, External Greaseable | |
| Remote Engine Oil Filter & Drain | Yes | |
| Waste Tank Blower Filter | External | |
| Battery Box | Yes | |
| Cabin Heat Discharge System | Yes - Through Floor Exhaust | |
| Weight | 950 lbs | 775 lbs |
| Dimensions | 34" W x 48" D x 34" H | 34" W x 43" D x 34" H |

*For more information, please contact your Aero Tech representative.

Ready to Redefine What a Truck Mount Can Do?

The R-Series Slide-In isn't just another machine—
it's a better way to work.

From restoration to residential and commercial cleaning, contractors count on the R-Series to deliver consistent results, day after day.

- **Stainless Steel Construction**—Resists corrosion and wear for years of dependable operation.
- **Better Temperature Control**—Simplified system delivers consistent heat with fewer components.
- **Waste Tanks that Wow**—Beveled design prevents sludge, odors, and messy cleanouts
- **Unique Cooling Design**—Vents heat through the van floor—keeping your vehicle cooler.



R56: Ideal for commercial or large cleaning jobs requiring dual wands or long hose runs.

Built to Perform. Built to Last.

- Made in the USA
- Engineered for Performance
- Real-World Field Tested
- Backed by 7-5-2 Warranty



Powered by
INNOVATION

Robust | Radical | Revolutionary



R45: Ideal for residential and light commercial cleaning jobs.



aerotechmfg.com | 866-390-2376